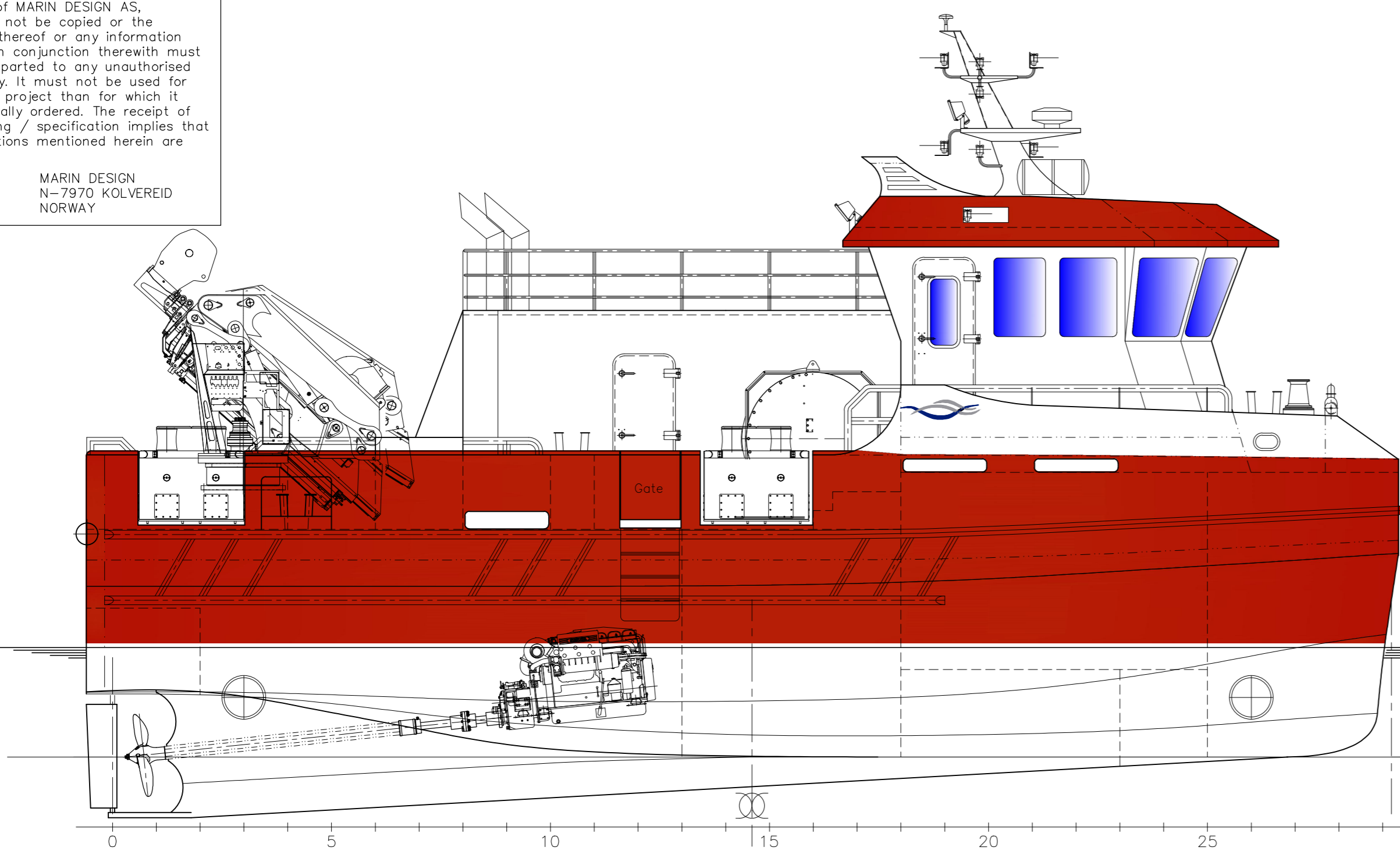
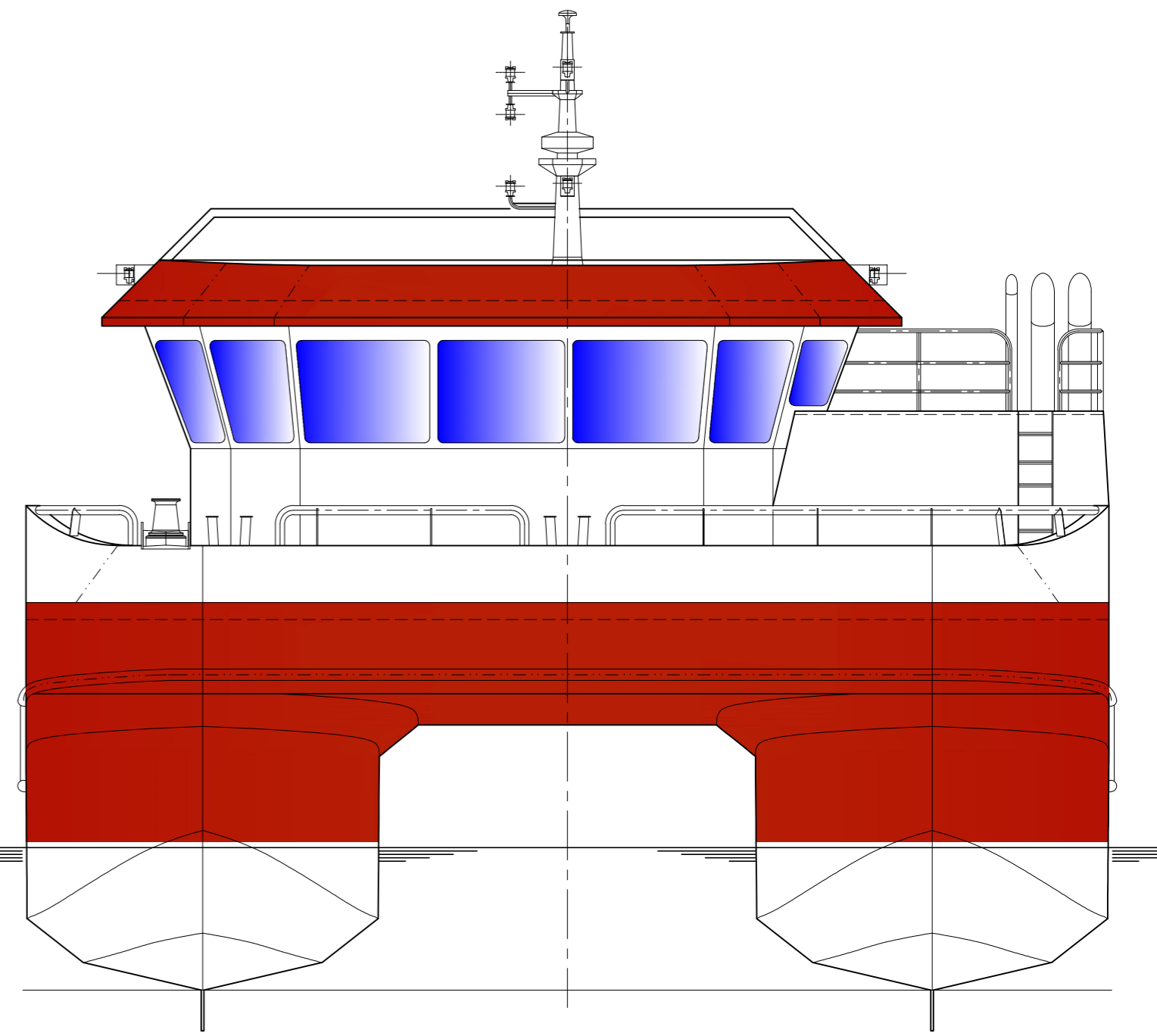


This drawing / specification is the property of MARIN DESIGN AS, and must not be copied or the contents thereof or any information received in conjunction therewith must not be imparted to any unauthorised third party. It must not be used for any other project than for which it was originally ordered. The receipt of the drawing / specification implies that the conditions mentioned herein are accepted.

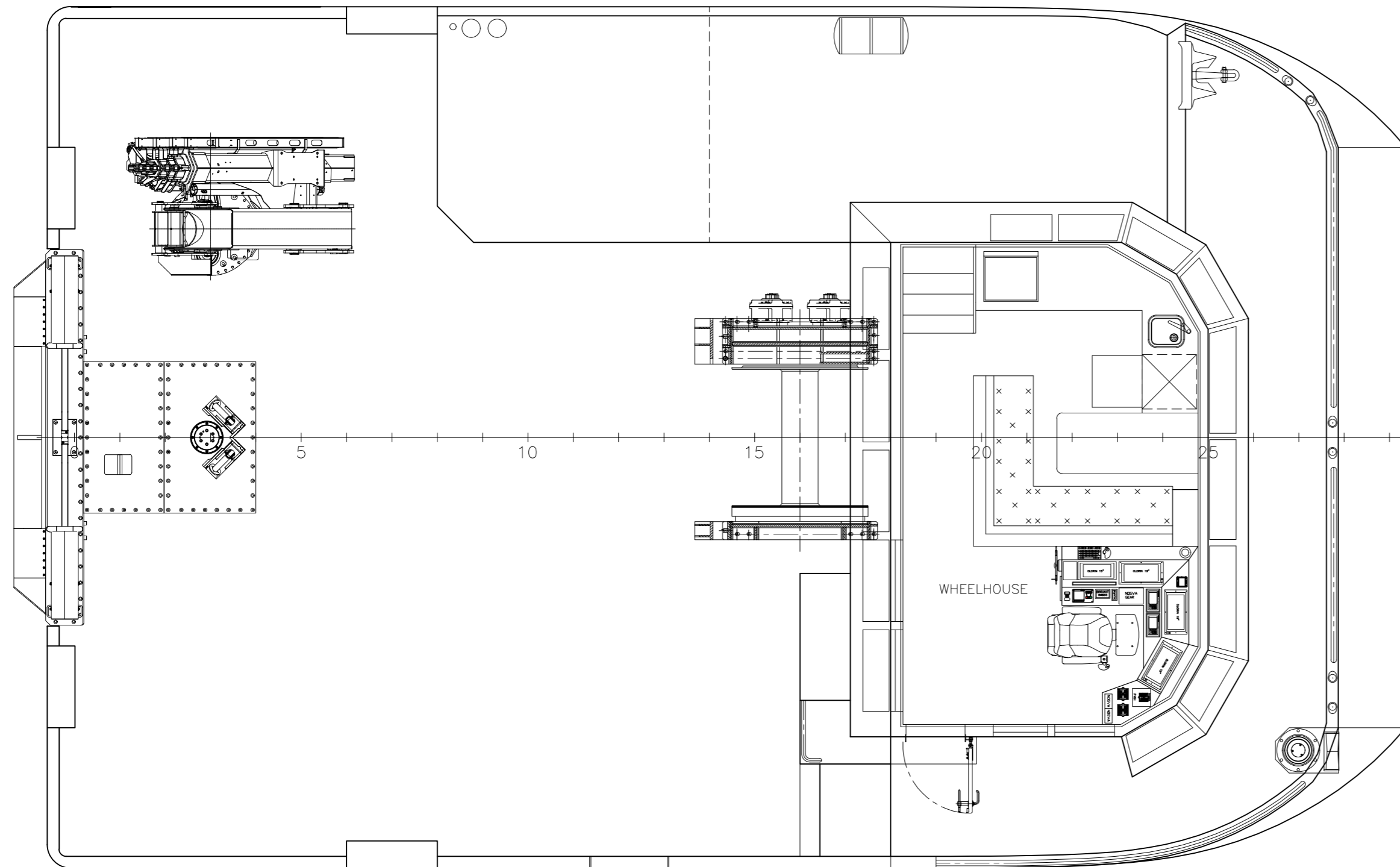
MARIN DESIGN
N-7970 KOLVEREID
NORWAY



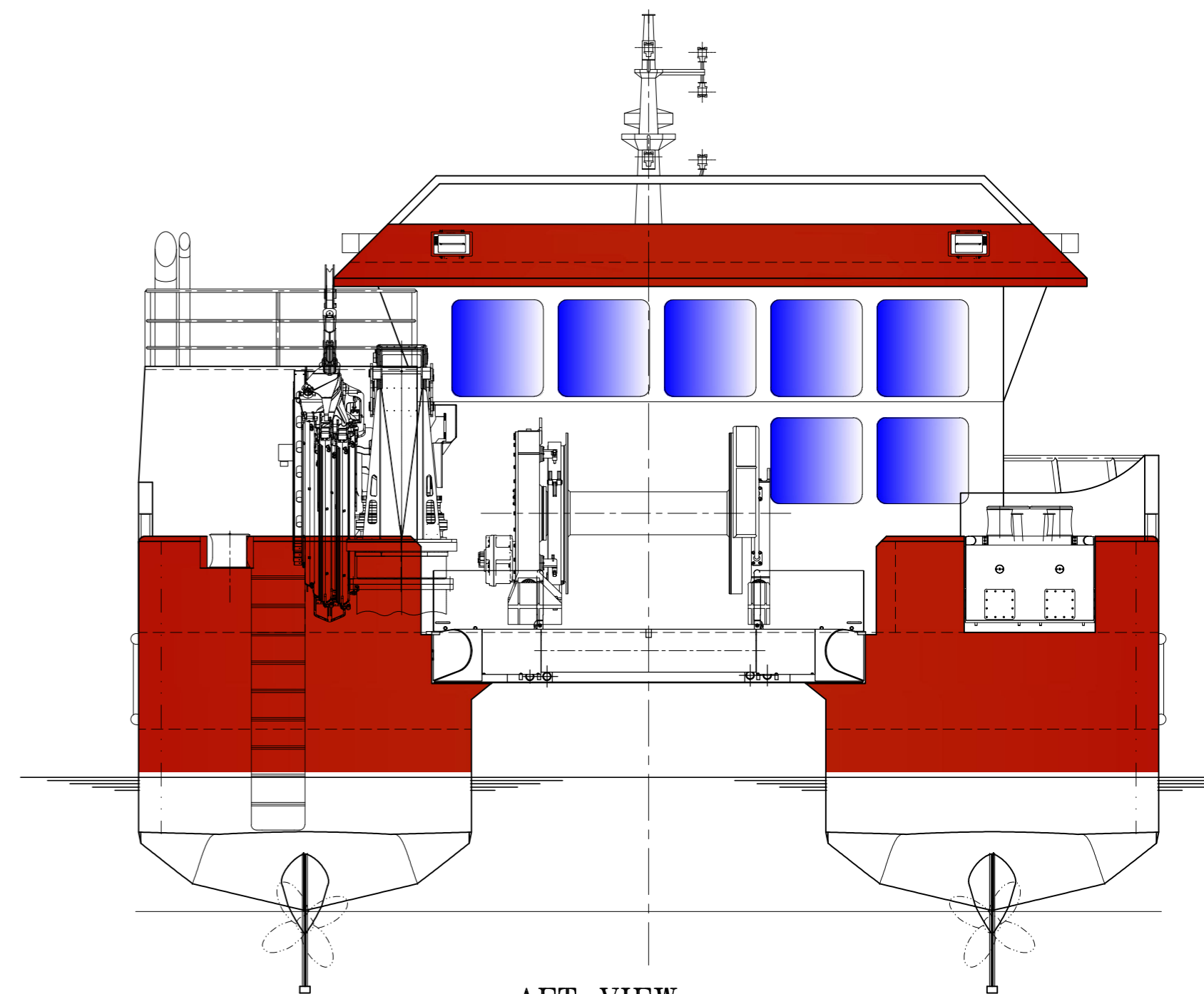
PROFILE SB



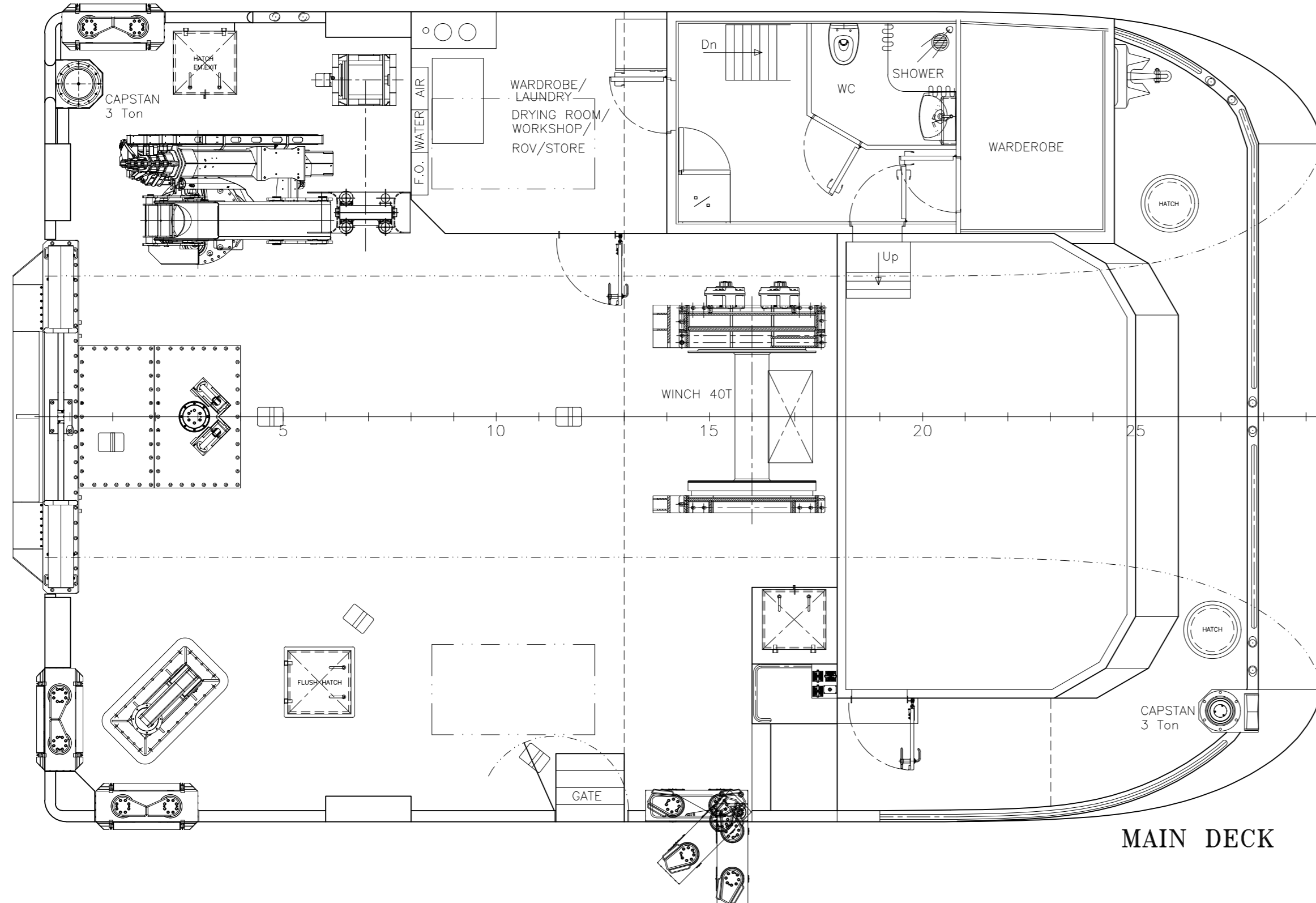
FRONT VIEW



BRIDGE DECK

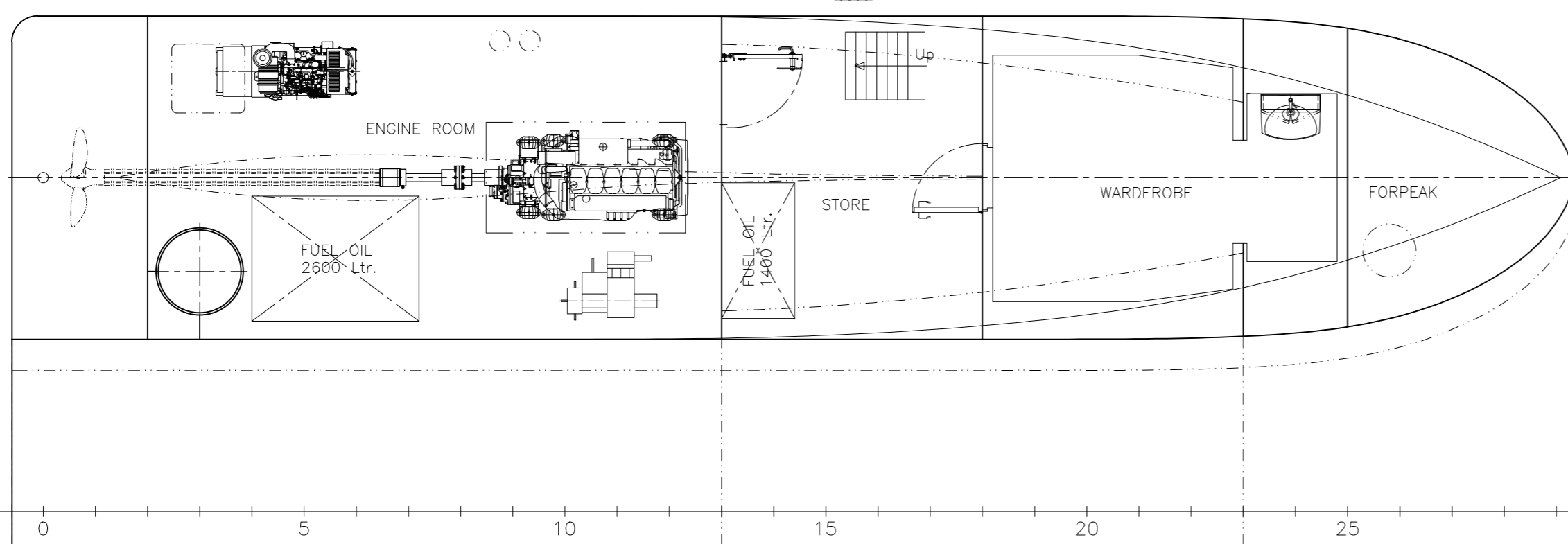


AFT VIEW



MAIN DECK

MAIN PARTICULARS	
LENGTH O.A. :	14.98 M
LENGTH P.P. :	14.60 M
BREADTH MLD. :	9.50 M
DEPTH MLD. :	2.60 M
CREW :	4 Man
FUEL OIL :	Ca. 8,0 m3
FRESH WATER :	Ca. 2,4 m3
FRAMING :	1.0m/0.3m
CRANE :	65 t/m



BELOW MAIN DECK

REV.	DATE	DESCRIPTION	CONTROL
1			
		OWNER : -	
		YARD No.: XX-Folla Maritime Service AS	
		NAME:	
		SCALE: 1:50	DATE: 17.06.22
			DRAWN BY: AH
			CONTROL:
		REPLACEMENT FOR:	
		DRAWING No.: 22100-101-001	REV.No.: 0
		PAPER SIZE: A1	

marin design as

7970 Kolvereid Norway
Tlf: +47 74 39 79 00
E-mail: post@marindesign.no

GENERALARRANGEMENT
MD-CAT 50-9500

THIS DRAWING AND/OR SPECIFICATION IS OUR PROPERTY AND IS NOT TO BE USED FOR ANY OTHER PROJECT WITHOUT OUR PERMISSION.

YARD: APPROVED
OWNER:
CLASS INST.
AUTHORITY: