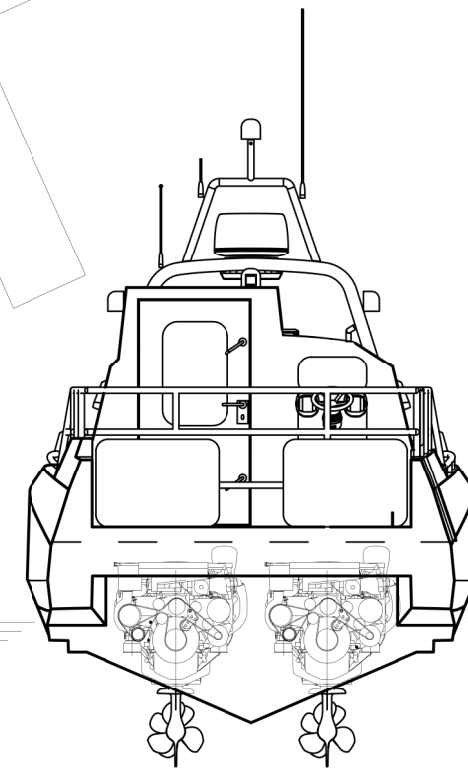
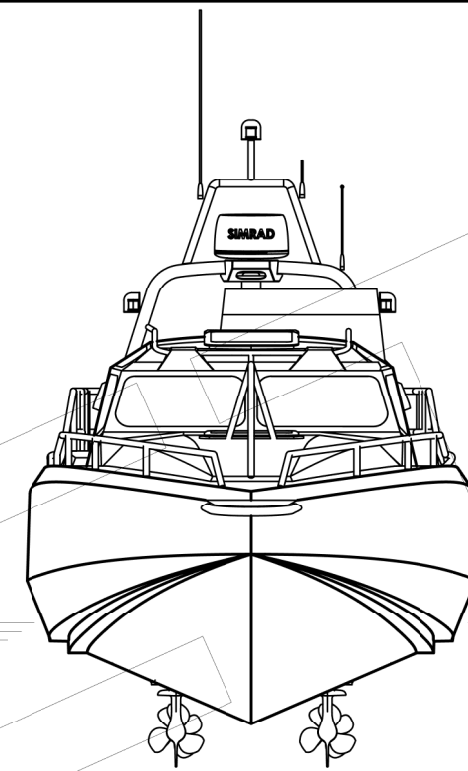
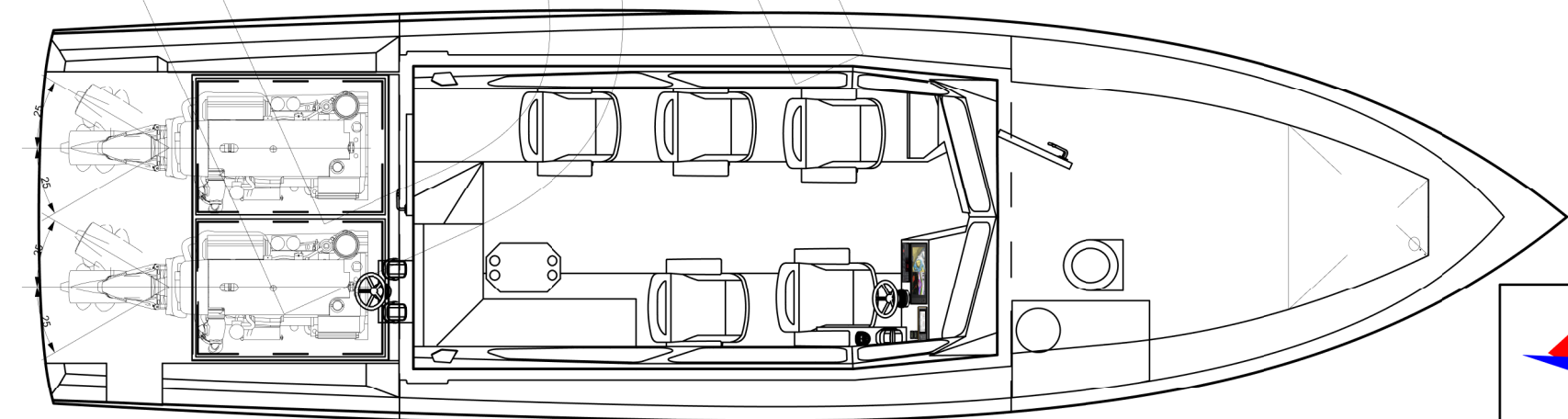


#11.0 #10.25 #9.50 #8.75 #8.00 #7.25 #6.50 #5.75 #5.0 #4.0 #3.0 #2.0 #1.0 #0.0



LOA: 11.0 m
 Breadth: 3.00m
 Depth: 1.20m

Rev. No.	Written/ revised by	Written/ revised date	Checked by	Approved by	Approved date	Revisions



Tel: 415 29 233
 Email: post@innovation-as.no
 www.innovation-as.no

Korsvik Allè 11
 7040 Trondheim
 Norge

Drawing: 153-GA	
Project: 153	
Archive:	Page: Of:
Scale A3	