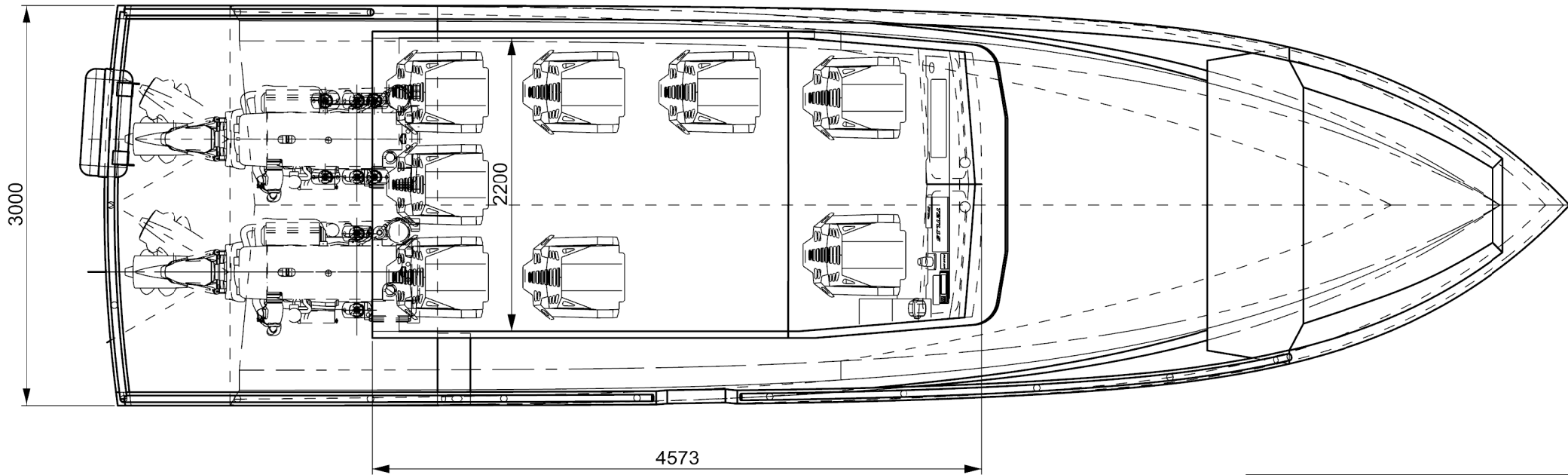


1975

0 1 2 3 4 5 6 7 8 9 10 11



3000

2200

4573

0	JBA	N/A		N/A		Utkast
Rev. No.	Written/ revised by	Written/ revised date	Checked by	Approved by	Approved date	Revisions



Tel: 415 29 233
 Email: post@innovation-as.no
 www.innovation-as.no

Korsvik Allè 11
 7040 Trondheim
 Norge

Drawing: Utkast GA	
Project: 120 Crossover	
Archive:	Page: Of:
Scale	